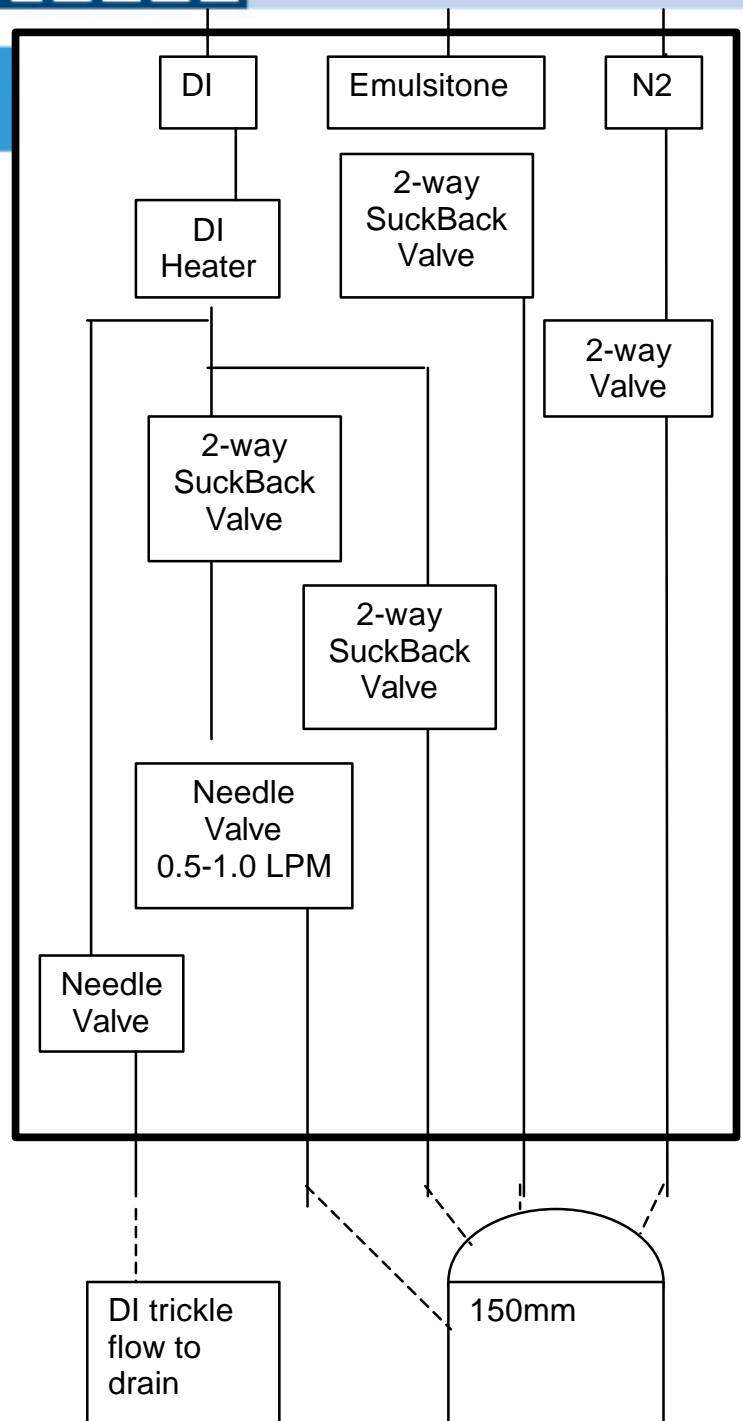


CHEMICAL MODULE

Chemical Module - PolosACD 150mm (P/N SLH4-3MOD5)

- 3 input 5 output chemical control module with DI temperature controller
- 3x Inputs:
 - DI (house supply)
 - Emulsitone (pressure vessel)
 - Nitrogen (house supply)
- 5x Outputs: (software controlled via Polos)
 - Emulsitone, to centre dispense ¼" tube, with suckback.
 - Hot DI, to backside rinse, adjustable 0.2 – 1.0 LPM via needle valve
 - N2, to purge/dry centre diffuser.
 - Hot DI, full flow to two spray nozzles, with suckback.
 - Hot DI, trickle flow to drain.



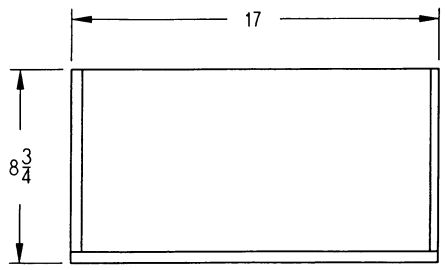
SPS-Europe B.V.
Midden Engweg 41
3882 TS Putten
The Netherlands
Tel.: (31) 341 360 590
Fax: (31) 341 360 589
info@sps-europe.com

S.P.S. Ltd.
Tweed Horizons Centre
Newtown St. Boswells
TD6 0SG Scotland
Tel.: (44) 1835 822 455
Fax: (44) 1835 822 055
info.uk@sps-europe.com

S.P.S. bvba
Steenweg op Withof 5
B-2960 St. Job in t Goor
Belgium
Tel.: (32) 3 440 0895
Fax: (32) 3 440 5181
info.be@sps-europe.com

S.P.S. Vertriebs GmbH
Rosenstrasse 10
D-85053 Ingolstadt
Germany
Tel.: (49) 841 370 530
Fax: (49) 841 370 5322
info.de@sps-europe.com

S.P.S. bvba
Route de Brasseronde
F-69700 Montagny
France
Tel.: (33) 4 72 31 78 35
Fax: (33) 4 78 05 13 45
info.fr@sps-europe.com

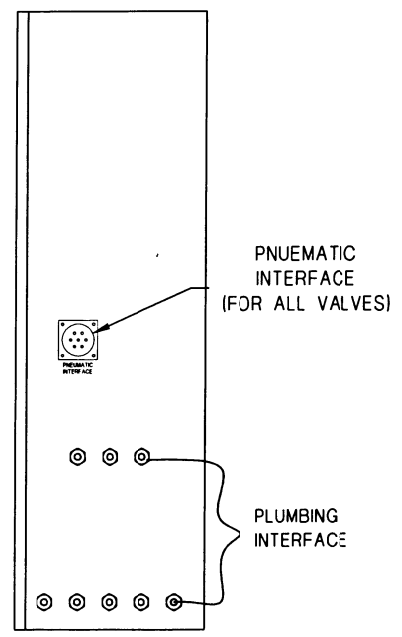
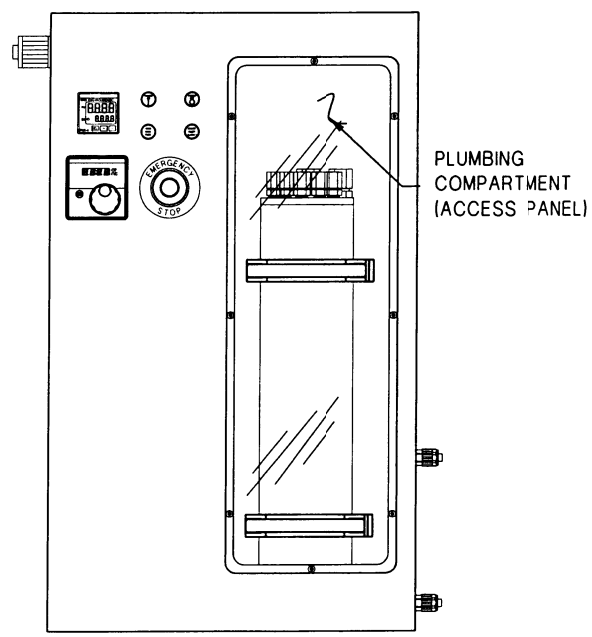
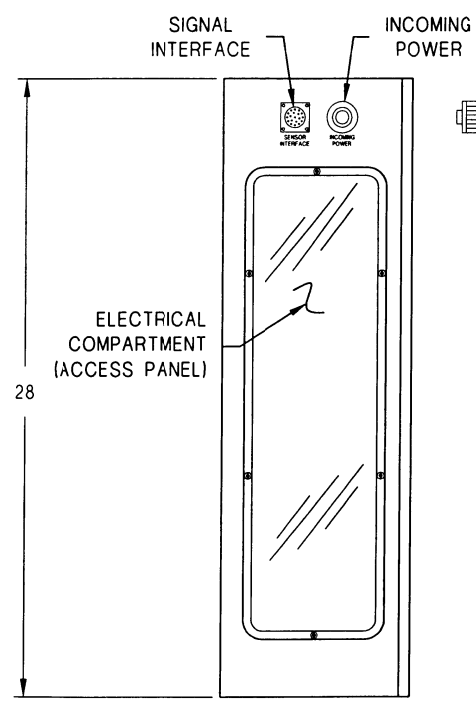


DRAFT

ENGINEERING SPECIFICATIONS

MATERIAL	
HEATER MODULE:	PVDF
HEATER ELEMENT:	PFA
CONNECTORS:	PVDF, PFA
PLUMBING	
INPUT/OUTPUT:	1/4" TUBE
DRAIN PORT:	3/8"FNPT (PLUGGED)
LIQUID LEVEL:	OPTICAL, PFA
PRESSURE RATING:	60PSI @ 95°C
ELECTRICAL	
VOLT:	208VAC, 50/60Hz
WATTS:	5.5KW
CURRENT:	26AMPS
OHMS:	7.8 Ω
HI-LIMIT T/C:	TYPE "J" 12ft. PFA ENCAPSULATED
PROCESS T/C:	STANDARD TYPE "J", 12ft. PFA ENCAPSULATED
GROUND WIRE:	TANTALUM RCD, 10ft. 10GA., GREEN/YELLOW PFA ENCAPSULATED
LEAD WIRE:	ELACK, 10GA, 10ft.

* OTHER VOLTAGE AND WATTAGE ARE AVAILABLE UPON REQUEST.



<p>CONFIDENTIALITY</p> <p>THIS DRAWING & THE INFORMATION CONTAINED THEREIN IS CONFIDENTIAL & PROPRIETARY TO INTEGRATED CIRCUIT DEVELOPMENT CORPORATION & MAY NOT BE TRACED, PHOTOGRAPHED, REPRODUCED IN ANY MANNER, NOR USED FOR ANY PURPOSE WHATSOEVER WITHOUT THE EXPRESS WRITTEN AUTHORIZATION OF INTEGRATED CIRCUIT DEVELOPMENT CORPORATION.</p>	<p>UNLESS OTHERWISE NOTED:</p> <p>DIMENSIONS & TOLERANCING ARE IN INCHES (MILLIMETERS) & PER AMS-Y14.5 & ISO/HEATEX DRAFTING STANDARDS.</p>		<p>HEATEX CORPORATION</p> <p>405 E. SANTA CLARA, ARCADIA, CA 91006 TEL: (626) 599-8566 FAX: (626) 599-9567</p>
	<p>DECIMALS: IN MM</p> <p>XX ±0.01 ±0.25</p> <p>XXX ±0.005 ±0.127</p> <p>XXXX ±0.0005 ±0.0127</p> <p>X/XX ±1/32</p> <p>◁ ±0.5° ±0.5°</p>	<p>TITLE</p> <p>IN-LINE ASSY., PVDF 5.5KW, 230VAC, 1-PH</p>	
<p>DRAWN BY: M. Martinez</p> <p>DATE: 08/20/08</p>	<p>ENG/DSGN: DATE:</p>	<p>DWG. NO.: LH1-1.5.5-E-G00-P601</p> <p>REV: 00</p>	
<p>DRAFTING CC: DATE:</p>	<p>APPROVED BY: DATE:</p>	<p>SHEET: 1 OF 1</p> <p>SCALE: NONE</p> <p>FILE: LH1155EG00P601</p>	