

RAM-LR

Compact Diode Laser For Analytical Applications



RAM-LR is a compact, TE-cooled diode laser designed for Raman spectroscopy, but with wider applications for other analytical techniques.

Bragg Grating Correction ensures phenomenal wavelength accuracy and stability. With over 10,000 hours of warranted life-time and an affordable price-tag, the RAM-LR is an ideal choice of laser for analytical applications.

Operational Specifications

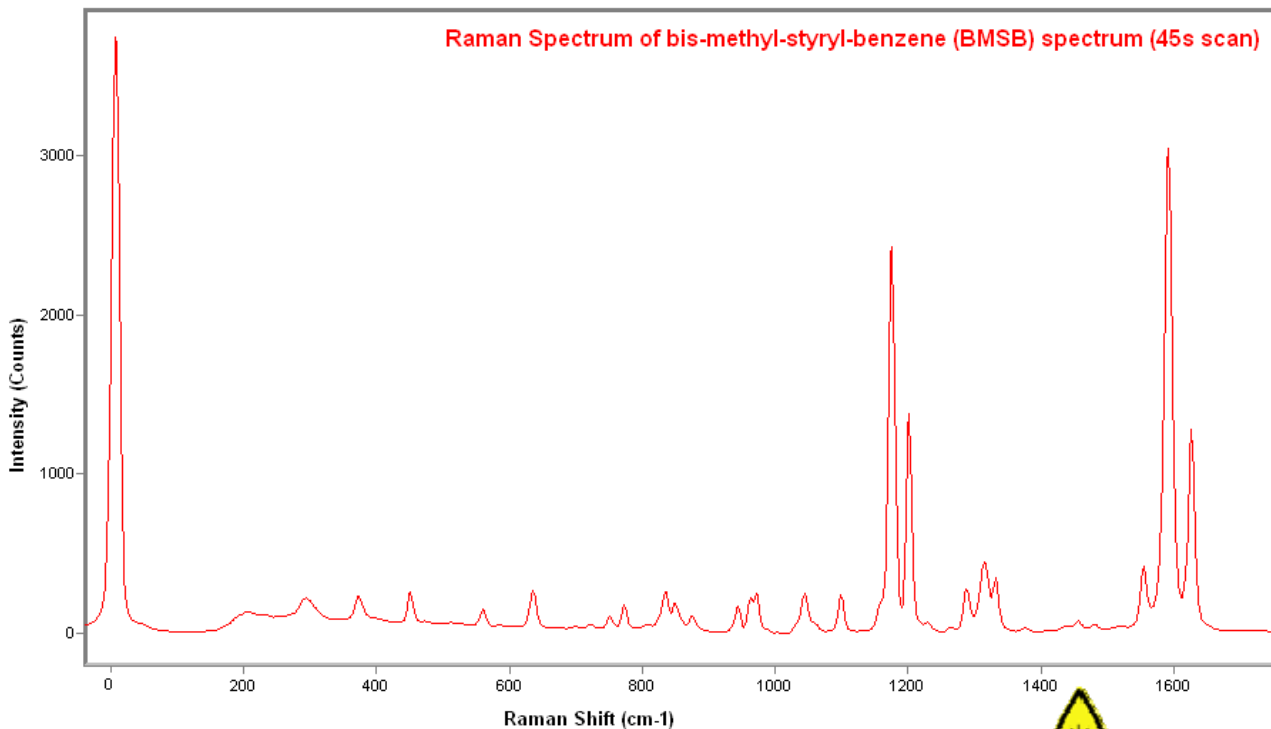
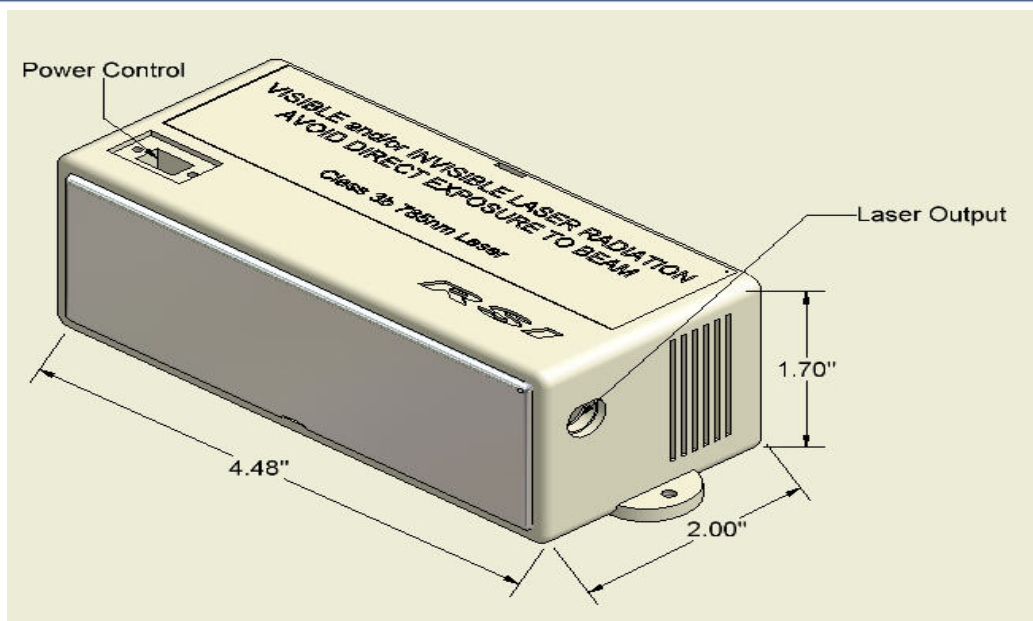
- **Power Output** – User selectable 5-500mW
- **Wavelength** – 785 nm
- **Wavelength Stability** – 0.01nm per °C
- **Spectral Line-width** – Better than 0.3 nm
- **Polarization** – Non-polarized
- **Warm-up Time** – Less than 3 minutes
- **Expected Lifetime** – 10,000 hours
- **Operating Temperature** – 15°-35° Celsius
- **Operating Voltage** – 5V DC/ 2A (min)

Physical Characteristics

- **Dimensions** – 4.5 x 2 x 1.7 inches
- **Weight** – 0.5 lb
- **Laser Light Delivery** – Optical fiber with FC/PC (standard) or SMA905 (optional) connector
- **Fiber** - 100µm core, NA=0.22

RAM-LR

Compact Diode Laser For Analytical Applications



CLASS IIIb LASER PRODUCT
AVOID DIRECT EXPOSURE TO BEAM

Specifications subject to change without notice.
PeakSeeker Pro, RSIQ are trademarks of Agiltron.
©2010 All rights reserved U.S. Patents 5982484, 6897951